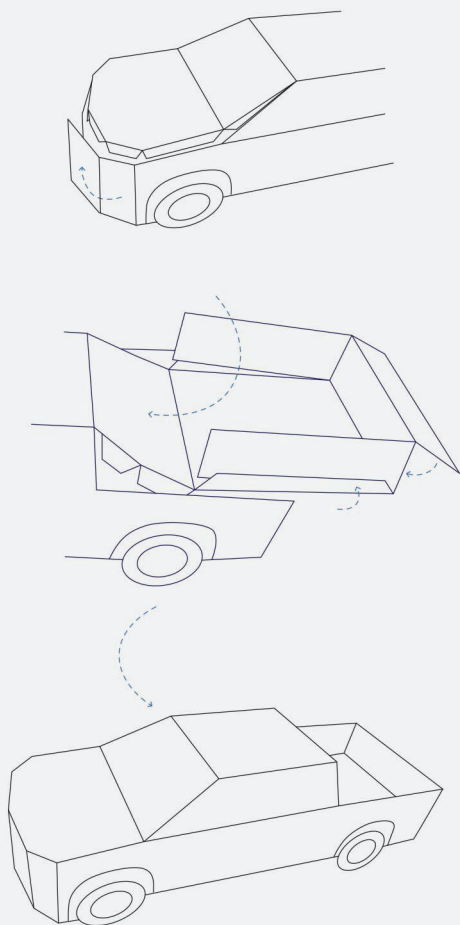


Make Your Own Ranger Raptor



Instructions:

From its pumped guards to the bold F-O-R-D lettering on the grille and painted Code Orange, the Ford Ranger Raptor is an attention grabber. Now you can make your own.

To print, cut out and fold your Ranger Raptor you'll need a colour printer, some paper glue a craft knife or scissors (and an adult to supervise if you're a child), and about an hour of your time. If possible, try and print your model as big as you can (if your printer can handle it, we recommend printing on A3) and use the stiffest paper stock your printer can handle.

Step 1: Using a craft knife (and a ruler) or scissors carefully cut around the outside of the vehicle. Be careful not to snip off the little grey tabs.

Step 2: With all the tabs folded you can begin adding a drop of paper glue to each tab as you go and sticking it to the adjacent vehicle part. We recommend starting at the front of the vehicle and working your way back to the load box.

Step 3: Take your time and, when you're done making your model take a photo of it and share it with the world using [#RangerRaptorArt](#) or even have a go at your own stop-motion animation. You'll need to supply your own broom-broom noises.

Make Your Own Ranger Raptor

